

COSWHEEL

T20

ALL-TERRAIN ELECTRIC BIKE



COSWHEEL T20

QUICK BATTERY REPLACEMENT EASY TO CARRY / CHARGE

large capacity battery optional, up to 100KM (48V20AH) in pure electric mode

10Ah ≤ battery capacity ≤ 20Ah

2500mAh



COSWHEEL T20

PRODUCT FEATURES

Front and rear brand disc brakes + large-size disc brake discs more secure during your riding.

With front and rear shock absorption, more comfortable when you riding it.
E-bike with daytime running lights, cool and safe for your daytime riding.

Large capacity battery optional, up to 100KM (48V20AH) in pure electric mode

20-inches beach/snow tire, suitable for all kinds of roads

Quick battery replacement, easy to carry / charge

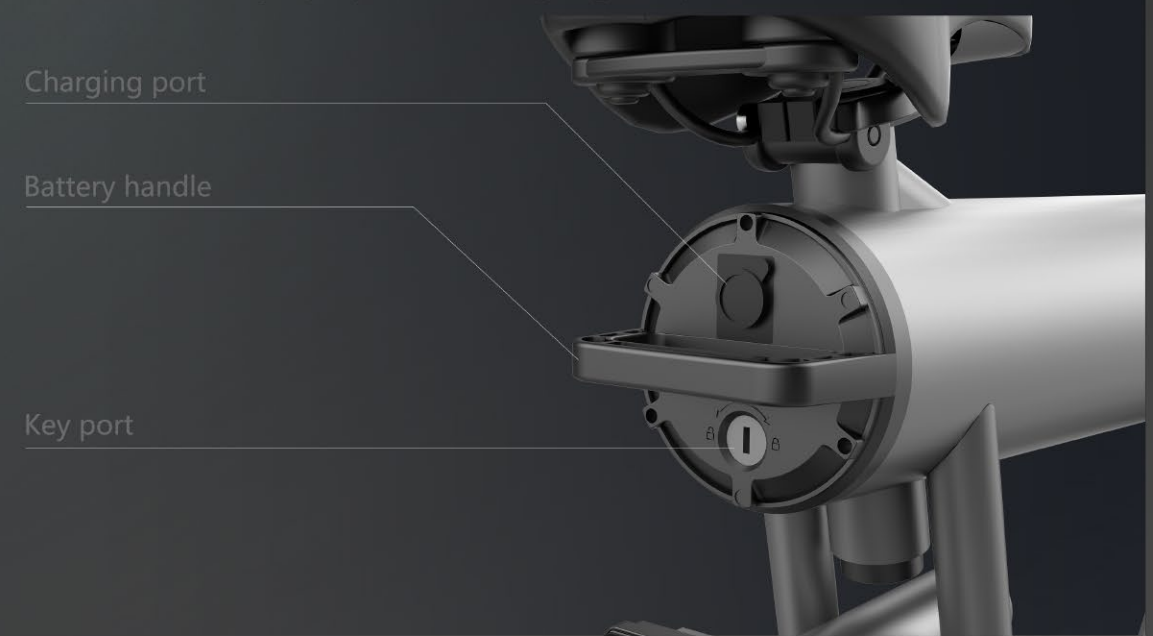




COSWHEEL T20

INTRODUCTION OF ELECTRIC VEHICLE PARTS

LCD screen display Speed, mileage, gear, power, vehicle fault code



COSWHEEL T20

LCD SCREEN DISPLAY

LCD screen display Speed, mileage, gear, power, vehicle fault code ...
(Bluetooth function Optional, vehicle data is synchronized to the mobile phone, MOQ ≥100 sets, only for wholesaler)



COSWHEEL T20

VEHICLE OPERATING PARTS

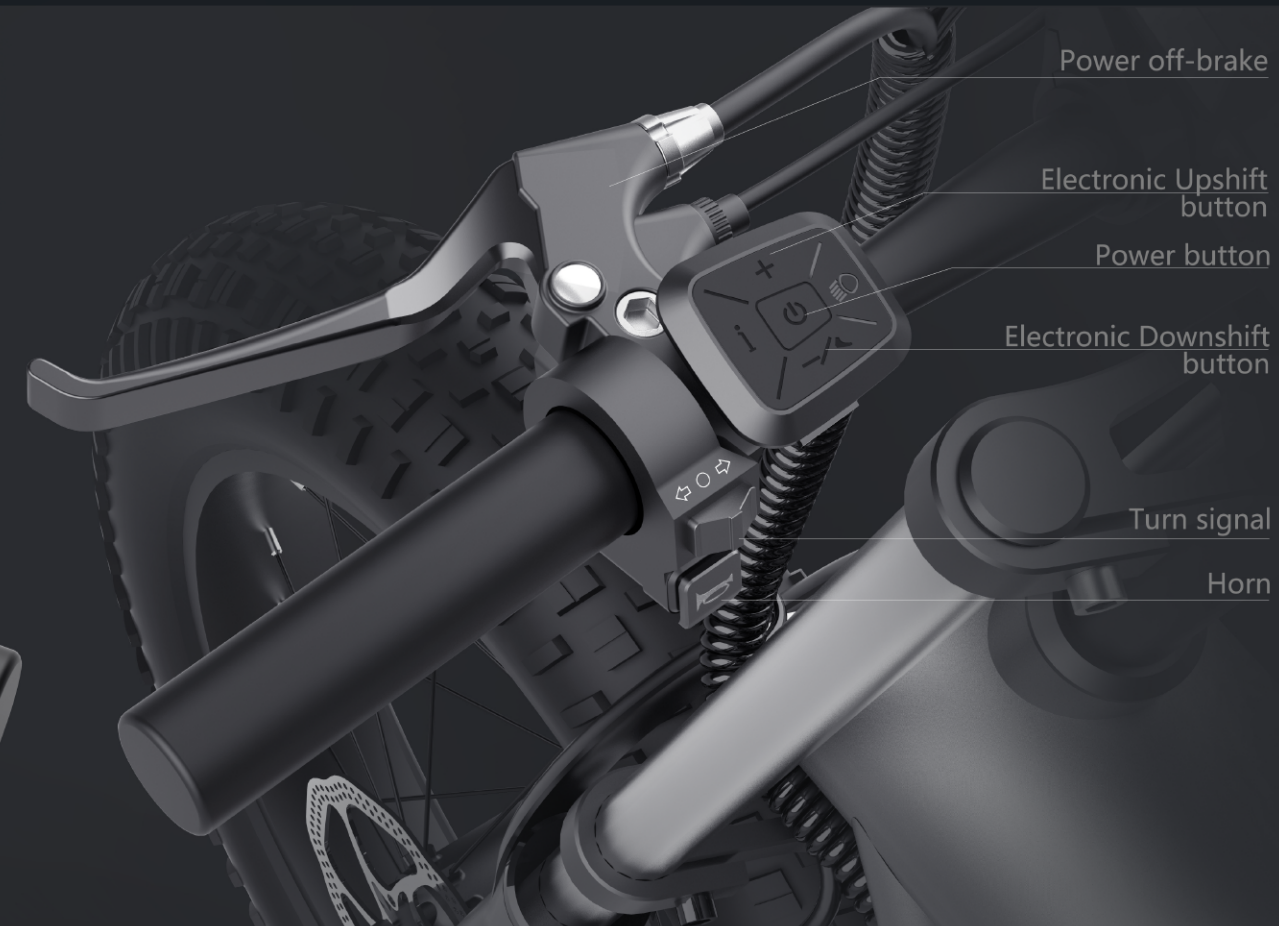


Gear adjustment

Upshift adjustment

Downshift adjustment

Accelerate handlebar



Power off-brake

Electronic Upshift button

Power button

Electronic Downshift button

Turn signal

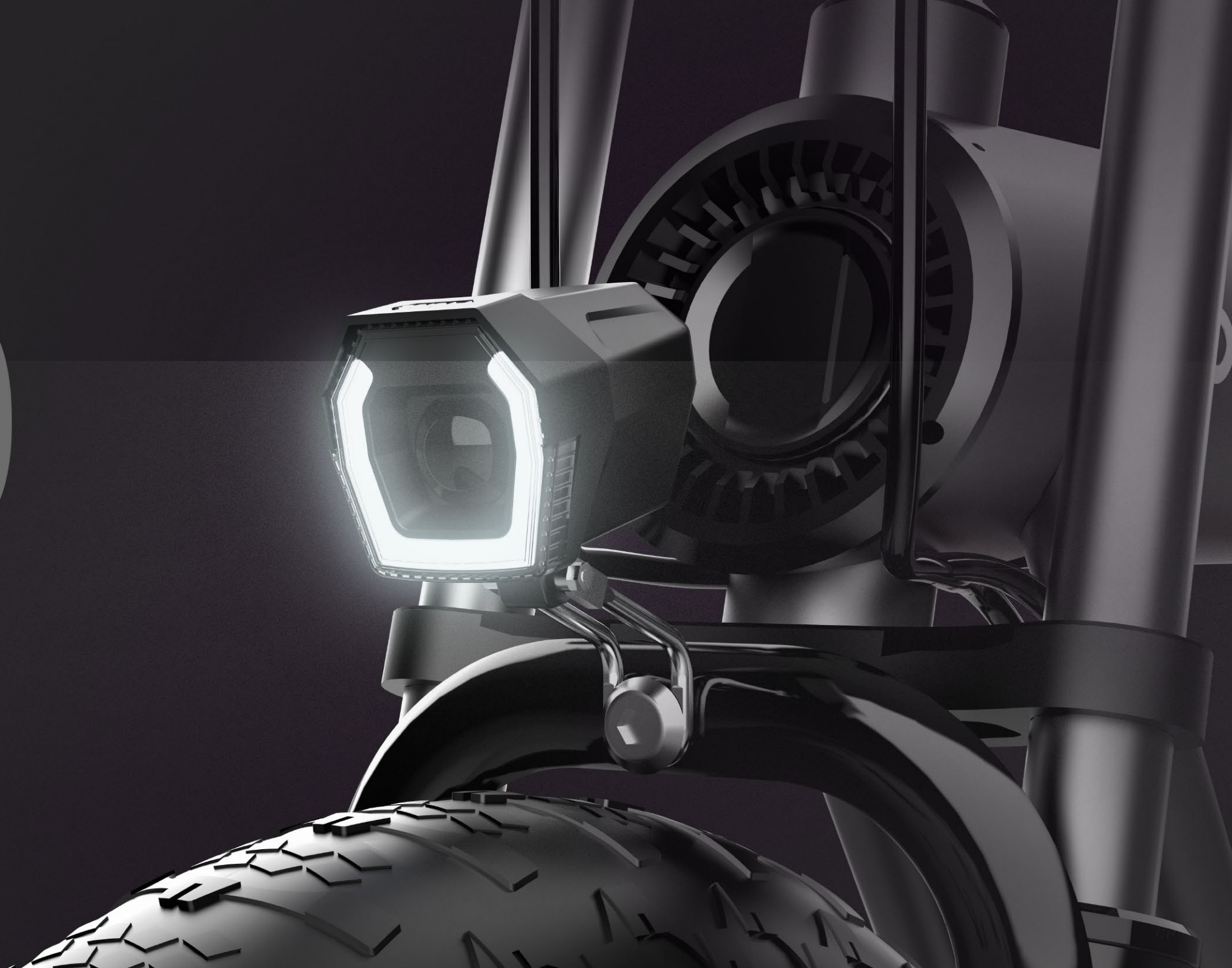
Horn

COSWHEEL

WITH DRL

With DRL, not only safer, but also more fashionable.

T20



COSWHEEL

LIGHTING SYSTEM

SUPER BRIGHT INTEGRATED HEADLIGHT AND TAILLIGHT

T20



COSWHEEL

T20-E-BIKE

PRODUCTS PARAMETERS CONTRAST:

Riding mode:	Assist/Electric/Manpower
Battery	48V/10AH (REMOVABLE BATTERY)
Charge time	3.5-8.0H
LCD Screen	Speed, total range, power, wrong code...
Motor	500W Rear high-speed motor
Tire	20 inches beach tire/snow tire(Slick tire optional)
Top Speed	45KM/H
Speed:	SHIMANO 7 Speed Gear
Brake System	Front and rear brake
Brake Distance	Dry road \leq 4.5M Moist road \leq 6M
Suspension	Front and Rear Suspension
Weight	\geq 26.5KG(Battery capacity different)
Material:	Aluminum alloy
Max Load	150KG(Safty load \leq 120KG)
Size	163X60X105CM
Packing Size:	L158*W31*H83CM





COSU WHEEL

T20

ALL-TERRAIN ELECTRIC BIKE

